

- Indicates the status of precipitation with beginning and end as well as duration of precipitation

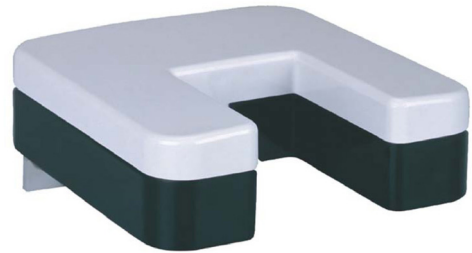
Description

The Thies Precipitation Monitor transmits signals to determine the beginning and end of precipitation as well as the duration of the period of precipitation.

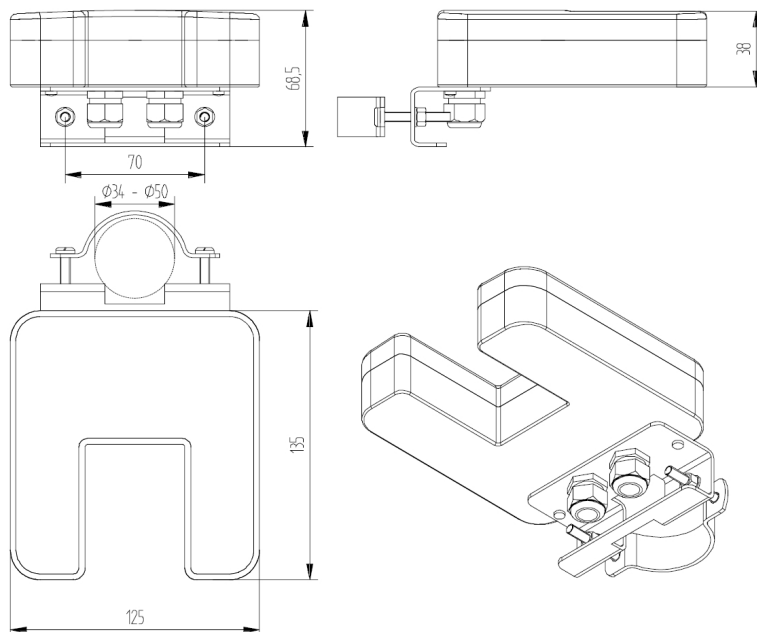
Precipitation in form of drizzle, rain, snow or hail is detected by means of a light barrier system and triggers a signal. A built-in incidence-filter shall smooth the triggering of switching signals in case of individual incidences, as for example leaves, bird droppings, insects etc. For this, a certain number of at least n incidences should have occurred within a time-window of 50 seconds. The number of drop incidences (1...15) can be selected through the DIP-switch on the PC board.

With the precipitation end the switching signal is reset after a selectable switch-off delay. Thanks to the immediate evaluation of the incidences it is possible to determine precisely the beginning and end of the precipitation period.

The instrument is equipped with a heating system for extreme weather conditions. Hence, ice and snow forming on the housing is prevented. In addition, the surface retains a temperature of $>0^{\circ}\text{C}$ by means of a regulated heating.



Dimensional drawing



Specifications

Charateristic	Description / Value
Measuring value	Status of precipitation
Drop size	≥ 0.2 mm
Switch-on condition	1 ... 15 incidences within 50 seconds
Switch-on /-off delay	none / 25 ... 375 seconds
Operating range	
Ambient temperature	-30 ... 60°C
Electrical data	
Electrical supply	12 - 28 VDC/ 50 mA 1,2 A @ 24 VDC
Relais	S72100H: HZ Modus A S72110H: HZ Modus C
General	
Mounting	Mounting on mast tube Ø 34 ... 50 mm
Dimension	38 x 125 x 136 mm (height x width x length)
Weight	0.4 kg
Protection	IP 65
Manufacturer	Thies

Sensor connection to Ammonit Meteo-40 data logger

Sensor	Pin No.	Ammonit Cable Wire Colour	Meteo-40 Digital	Supply Sensor
Precipitation Status	W	red	+ 5V	
Precipitation Status	R	white	IN / Pull-Down Modul M83570	
Supply	+	or, or		12 ... 28 VDC
Ground	-	vio, vio		GND

* Supply voltage for usage with Meteo-40 data loggers.

Connect the shield logger-sided to Ground (GND)

Cable type without heating: LiYCY 6 (7) x 0.25mm²

Sensor connection diagram to Ammonit Meteo-40 data logger

